

Features and Benefits

- Analog Signal Processing
- Quad Switched Hall Plate
- Chopper Stabilized Amplifier
- Linear Analog Ratiometric Output Voltage
- Programmable Output Quiescent Voltage (V_{OQ})
-100% V_{DD} ...200% V_{DD} Range
- Programmable Magnetic Sensitivity
- Programmable Low Pass Filter
- Programmable Clamping Voltage
- Programmable Temperature Compensation
- Melexis ID Number
- Programmable Customer ID Number
- Lead-free package

Application Examples

- Linear Position Sensing
- Rotary Position Sensing
- Current Sensing
- Magnetic Field Measurement

Ordering Code

Product Code	Temperature Code	Package Code	Option Code	Packing Form Code
MLX90295	E	VC	FAA-000	BU
MLX90295	E	VC	FAA-100	BU
MLX90295	E	VC	FAA-200	BU
MLX90295	E	VC	FAA-300	BU

Legend:

Temperature Code: E for Temperature Range -40°C to 85°C
 Package Code: VC for Plastic Single in Line thickness 0.9 -1.0mm
 Option Code: See section 10.4
 Packing Form: BU for Bulk

Ordering example: MLX90295EVC-FAA-000-BU

1 Functional Diagram

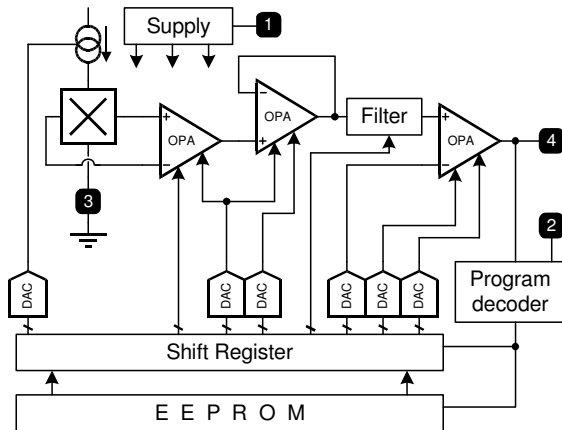


Figure 1-1 Functional Diagram

	Pin Out
	VC package
V _{DD}	1
Test	2
V _{SS} (Ground)	3
V _{OUT}	4

Table 1: Pin out

2 General Description

The MLX90295 is a CMOS Programmable, Ratiometric Linear Hall Effect sensor IC. The linear output voltage is proportional to the magnetic flux density. The ratiometric output voltage is proportional to the supply voltage. The MLX90295 possesses active error correction circuitry, which virtually eliminates the offset errors normally associated with analog Hall Effect devices. All the parameters of the MLX90295 transfer characteristic are fully programmable. The V_{OQ} (V_{OUT} @ $B = 0$ Gauss), the Sensitivity, the slope polarity, the Output Clamping levels, the thermal Sensitivity drift, the internal bias point and a low-pass filter are all programmable in end-user applications. The MLX90295 has a very stable thermal compensation for both the Sensitivity and the V_{OQ} over a broad temperature range. For traceability purpose the MLX90295 will carry a unique ID number programmed by Melexis and 24 bits of EEPROM memory are allocated for a user programmed serial number.

Table of Contents

1 Functional Diagram	2
2 General Description	2
3 Glossary of Terms	4
4 Maximum Ratings	4
5 Detailed Block Diagram.....	5
5.1 Detailed Description	5
6 General Electrical Specifications.....	6
7 Programming Range	7
8 Timing Specifications	7
9 Accuracy	7
10 Programmable Features	8
10.1 Output Quiescent Voltage (V_{OQ}).....	9
10.2 Thermal V_{OQ} Drift (DRIFT)	9
10.3 Sensitivity, Rough Gain and Fine Gain	9
10.4 Sensitivity Range Selection.....	10
10.5 Sensitivity Polarity (INVERT).....	12
10.6 Clamping Levels (CLAMPLOW, CLAMPHIGH).....	12
10.7 Filter (FILTER)	13
10.8 Sensitivity Temperature Compensation (TC, TCW, TC ²)	13
10.9 Diagnostic Output Level (FAULTLEV).....	14
10.10 The EEPROM, Parity, and Melexis CRC	14
10.11 Output Amplifier Configuration (MODE)	14
10.12 Memory Lock (MEMLOCK)	15
10.13 IC traceability	15
11 Performance Graphs.....	15
12 Applications Information.....	16
12.1 Application Circuits – VC-package	16
12.2 Programming the Sensor	16
12.3 Calibration Procedure	17
13 Standard information regarding manufacturability of Melexis products with different soldering processes	18
14 ESD Precautions.....	18
15 Package Information	19
15.1 VC Package Outline and Hall Plate Position.....	19
16 Disclaimer	20

3 Glossary of Terms

Term	Explanation
mT (milli-Tesla)	Unit of measurement for magnetic flux density. 1mT is equal to 10 Gauss.
V _{OQ} (Output Quiescent Voltage)	Output voltage at zero magnetic field, V _{OUT} for B = 0 mT.
Sensitivity	Change in output voltage versus change in magnetic field ($\Delta V_{OUT} / \Delta B$)
TempCo (Sensitivity Temperature Compensation)	Change in Sensitivity over temperature. Listed in units of ppm / °C (where 100ppm / °C. = 0.01% / °C)
PTC (Programming Through the Connector)	Melexis in-circuit programming protocol.
MSB	Most Significant Bit.
LSB	Least Significant Bit.

4 Maximum Ratings

Parameter	Units
Maximum Supply Voltage, V _{DD_MAX} (over Voltage)	30 V
Maximum Supply Current, I _{DD_MAX} (Over Voltage)	50 mA
Reverse Voltage, V _{DD_REV}	- 15 V
Reverse Supply Current, I _{DD_REV}	- 85 mA
Positive Output Voltage, V _{OUT_MAX}	24 V
Positive Output Current, I _{OUT_POS_FAULT}	40 mA
Reverse Output Voltage, V _{OUT_REV}	- 0.7 V
Reverse Output Current, I _{OUT_REV_FAULT}	-50 mA
Operating Ambient Temperature Range, T _A	-40°C to 85°C
Storage Temperature Range, T _S	-55°C to 165°C
Magnetic Flux Density	Infinite

Table 2: Absolute Maximum Ratings

Note: Exceeding the absolute maximum ratings may cause permanent damage. Exposure to absolute-maximum-rated conditions for extended periods may affect device reliability.

5 Detailed Block Diagram

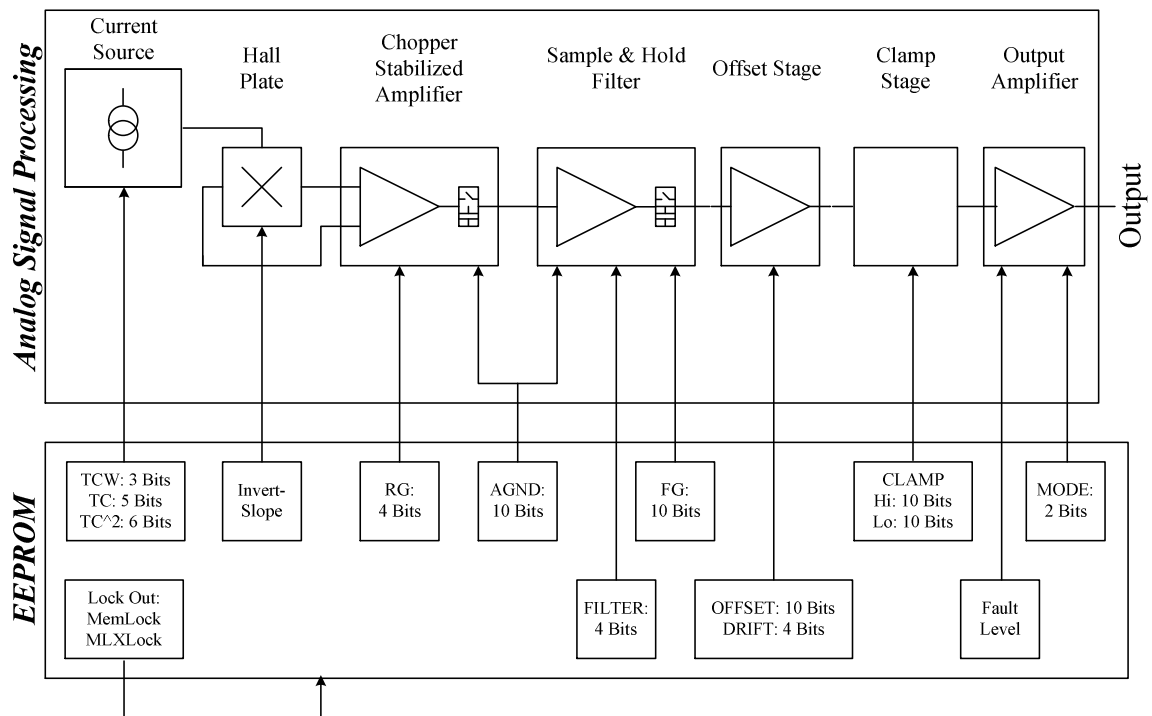


Figure 5-1 Detailed Block Diagram

5.1 Detailed Description

Integrated on the MLX90295 is a temperature-compensated quad switched Hall plate, chopper stabilized amplifiers, adjustable output filter, output driver, voltage protection circuitry and a programmable EEPROM with security and redundancy. Programming the EEPROM allows each device to be calibrated in the application.

In normal operation data stored in the EEPROM feeds a register, RAM, that updates internal DACs and switches that effect the operation of the device. In programming mode the RAM can be directly accessed to allow faster calibration of the parameters. Communication to the device is done using Melexis' PTC serial interface.

6 General Electrical Specifications

DC operating parameters at $V_{DD} = 5V$ (unless otherwise specified) and for T_A as specified by the temperature range.

Parameter	Symbol	Test Conditions	Min	Typical	Max	Units
Nominal Supply Voltage	V_{DDNOM}		-	5	-	V
Operating Supply Voltage	V_{DD}^\dagger		4.5	-	5.5	V
Nominal Supply Current	I_{DDNOM}	$V_{DD} = V_{DDNOM}$	4.0	7.0	8.0	mA
Supply Current	I_{DD}	$V_{DD} = 4.5 \dots 5.5 V$	3.0	-	9.0	mA
Output Voltage Swing	V_{OUTPD}	Pull Down Load $\geq 10 k\Omega$ no clamping	2		96	% V_{DD}
	V_{OUTPU}	Pull Up Load $\geq 10 k\Omega$ no clamping	5		97	% V_{DD}
Output Current	I_{OUT}	$V_{DD} = V_{DDNOM}$	-1.25		1.25	mA
Output Short-Circuit Current	I_{OUTSC+}	$V_{DD} = V_{DDNOM}$ Output shorted to supply-permanent	-12		-4	mA
	I_{OUTSC-}	Output shorted to ground-permanent	4		12	mA
Diagnostic Output Voltage	V_{OUT1}	Broken supply, Pull-down load $> 10 k\Omega$	0		0.5	% V_{DD}
	V_{OUT2}	Broken ground, Pull-down load $> 10 k\Omega$	94	96	100	% V_{DD}
	V_{OUT3}	Broken supply, Pull-up load $> 10 k\Omega$	0	3	5	% V_{DD}
	V_{OUT4}	Broken ground, Pull-up load $> 10 k\Omega$	99.5		100	% V_{DD}
Power on Reset	V_{DD_POR}	Voltage on V_{DD}	1.5		3.8	V
Over Voltage Detection	V_{DD_OVD}	Voltage on V_{DD}	6.5		8.5	V

Table 3: Electrical Specifications

[†] The ratiometric output voltage is proportional to the supply voltage. When using the supply voltage as a reference for an A/D converter, fluctuations of $\pm 10\%$ in supply voltage are compensated.

7 Programming Range

T_A programming 20 °C to 30 °C.

Parameter	Symbol	Test Conditions	Min	Typical	Max	Units
Output Quiescent Voltage	V_{OQ}	AGND = Default AGND = 0...1023	-10 -100		110 200	% V_{DD} % V_{DD}
Sensitivity	S		2.6		210	mV/mT
Output Clamping Voltage Low	ClampLo		0		100	% V_{DD}
Output Clamping Voltage High	ClampHi		0		100	% V_{DD}
Temperature Compensation	TempCo	1 st order	0		2300	ppm / °C

Table 4: Programming Range Specifications

8 Timing Specifications

DC operating parameters at $V_{DD} = 5V$ (unless otherwise specified) and for T_A as specified by the temperature range.

Parameter	Symbol	Test Conditions	Min	Typical	Max	Units
Power On Delay	T_{PO}	FILTER = 0, RG = 0		0.4	0.8	ms
		FILTER = 0, RG = 15		0.6	1.2	ms
		FILTER = 15, RG = 0		1.1	2.2	ms
		FILTER = 15, RG = 15		5	10	ms
Step Response Time		RG = 0 to 3, FILTER = 0	24		32	µs
		RG = 4 to 7, FILTER = 0	48		64	µs
		RG = 8 to 11, FILTER = 0	100		132	µs
		RG = 12 to 15, FILTER = 0	200		264	µs

Table 5: Timing Specifications

9 Accuracy

DC operating parameters at $V_{DD} = 5V$ (unless otherwise specified) and for T_A as specified by the temperature range.

Parameter	Symbol ^{††}	Test Conditions	Min	Typical	Max	Units
Thermal V_{OQ} Drift	$\Delta^T V_{OQ}$	$V_{OQ} = 2.5V^{(†)}$, 25 °C / 85 °C $V_{OQ} = 2.5V^{(†)}$, 25 °C / -40 °C	- 0.2 - 0.4		+ 0.2 + 0.4	% V_{DD} % V_{DD}
Life Time Drift of the Thermal V_{OQ} Drift	$\Delta^L \Delta^T V_{OQ}$		- 0.2		+ 0.2	% V_{DD}
Life Time V_{OQ} Drift	$\Delta^L \Delta V_{OQ}$		- 0.3		+ 0.3	% V_{DD}
Life Time Sensitivity Drift	$\Delta^L \Delta S$		- 1		+ 1	%
Sensitivity Temperature Coefficient [†]	TCs	0 to 500 ppm / °C 500 to 1200 ppm / °C 1200 to 2300 ppm / °C			± 100 ± 150 ± 200	ppm / °C ppm / °C ppm / °C
Thermal Drift of Sensitivity Temperature Compensation	$\Delta^T TC$	VC-package			150	ppm / °C
Thermal Drift Output Clamping Levels	$\Delta^T V_{OUTCLAMP}$		- 0.4		+ 0.4	% V_{DD}
Life Time Drift Output Clamping Levels	$\Delta^L V_{OUTCLAMP}$		- 0.2		+ 0.2	% V_{DD}
Linearity error	Le			0.2		%

Table 6: Accuracy Specifications

[†] Valid for Rough Gain within the specified option code.

^{††} Δ^L = Life Time Drift (based on HTOL data)

Δ^T = Thermal Drift.

10 Programmable Features

The MLX90295 has many programmable features for adjusting the output characteristic. The features are utilized by writing data into the redundant non-volatile EEPROM. Below is a quick list and description of all the programmable parameters. Many of the parameters are set by Melexis and they are not used by the end customer. Later sections of the data sheet give details on how the parameters are used.

Parameter	Symbol	Description	Number of Bits	Default
Internal Bias Point	AGND	Coarse adjustment of V_{OQ} .	10	Trimmed
Analog Clock Choice [†]	CKANACH	Adjustment for amplifier clock generator.	2	Preset
Clamping High	CLAMPHIGH	Adjustment of upper output clamping voltage.	10	512
Clamping Low	CLAMPLOW	Adjustment of lower output clamping voltage.	10	512
Customer ID ^{††}	CUSTID	Open bits for customer's ID programming.	24	Preset
Offset Drift [†]	DRIFT	V_{OQ} temperature drift compensation.	4	Trimmed
EEPROM Fault Level	FAULTLEV	Output state for EEPROM parity error.	1	0
Fine Gain	FG	Fine adjustment for Sensitivity.	10	0
Filter	FILTER	Adjustment for low pass output filter.	4	0
Invert Slope	INVERT	Sensitivity polarity selection.	1	0
Memory Lock	MEM_LOCK	Used to lock the entire EEPROM.	1	0
Melexis ID [†]	MLX_ID	Melexis IC identification number.		Preset
Melexis Lock [†]	MLX_LOCK	Used to lock Melexis area of the EEPROM.	1	0
Output Driver [†]	MODE	Adjustment for output stage amplifier.	2	1
Offset DAC	OFFSET	Fine adjustment of V_{OQ} .	10	0
Oscillator Adjust [†]	OSCADJ	Chip oscillator frequency adjustment.	4	Preset
EEPROM Parity	PARITY	Ensures the integrity of the EEPROM data.	3	Calculated
Rough Gain	RG	Rough adjustment for Sensitivity.	4	0
Slow [†]	SLOW	Amplifier speed adjustment.	1	Preset
Temperature Compensation Window	TCW	Range adjustment for Sensitivity Temperature Compensation.	3	0
Temperature Compensation	TC	Fine adjustment of Sensitivity Temperature Compensation.	5	0
2nd Order Temperature Compensations	TC ²	Linearization adjustment of the Sensitivity Temperature Compensation.	6	0

Table 7: Programmable Parameters

[†]Melexis parameter adjusted at final test.

^{††}Not included in redundant area of the EEPROM.

10.1 Output Quiescent Voltage (V_{OQ})

Two parameters, AGND and OFFSET, are used for adjustment of the V_{OQ} . The AGND is a 10 bit parameter for coarse adjustment of V_{OQ} . It has a resolution of approximately 0.014V and a range of $-100\%V_{DD}$ to $200\%V_{DD}$. The OFFSET is a 10 bit parameter with a resolution of approximately -0.005V. The OFFSET parameter is used for fine adjustment of the V_{OQ} , while the AGND parameter is used to set the range. The large adjustable range allows the MLX90295 to be used in an unipolar magnetic system without limiting the output voltage span. The formula below shows how the AGND and OFFSET parameters combine to set the V_{OQ} .

$$V_{OQ} = -0.75V + \left(\frac{14.25V}{1023} * AGND \right) + \left(- \frac{5.0V}{1023} * OFFSET \right) \Bigg|_{V_{DD}=5.00V}$$

This formula approximates the typical V_{OQ} of the MLX90295. The actual V_{OQ} formula varies slightly from chip to chip. Melexis calibrates the AGND setting during final test so that the V_{OQ} is approximately $50\%V_{DD}$ with OFFSET set to 512. This gives the V_{OQ} a range of $0\%V_{DD}$ to $100\%V_{DD}$ without adjusting the AGND value. The OFFSET parameter is often used to set the offset in the application's output transfer characteristic.

10.2 Thermal V_{OQ} Drift (DRIFT)

The Thermal V_{OQ} Drift is tuned using 4 bits. This parameter, DRIFT, is calibrated for each unit by Melexis during final test. The value is set to achieve a V_{OQ} accuracy below 10mV over a temperature span of $25^{\circ}C$ to $150^{\circ}C$. This parameter is not used by the end customer.

10.3 Sensitivity, Rough Gain and Fine Gain

The Sensitivity of the MLX90295 is controlled through parameters linked to dedicated internal amplification stages. The parameter Rough Gain (RG), or pre-amplifier, has 4 bits for adjustment of two stages. The two MSB affect the Differential Input Differential Output (DIDO) stage. The two LSB effect the Differential to Single output (DTS) stage. The gain of both the DIDO and DTS are multiplied to get the total RG. The table below shows the theoretical small signal amplifier gain vs. the parameter RG. The pre-amplifier is chopper stabilized and the refresh frequency is adapted automatically to the RG setting to match the chopper gain-bandwidth product.

Rough Gain (MSB LSB)	DIDO	DTS	Gain
00 (00 00)	16	1.0	16
01 (00 01)	16	1.5	24
02 (00 10)	16	2.33	37
03 (00 11)	16	4.0	64
04 (01 00)	39	1.0	39
05 (01 01)	39	1.5	59
06 (01 10)	39	2.33	91
07 (01 11)	39	4.0	156
08 (10 00)	82	1.0	82
09 (10 01)	82	1.5	123
10 (10 10)	82	2.33	191
11 (10 11)	82	4.0	328
12 (11 00)	205	1.0	205
13 (11 01)	205	1.5	308
14 (11 10)	205	2.33	477
15 (11 11)	205	4.0	820

Table 8: MLX90295 Rough Gain Small Signal Amplifier Gain

The MLX90295 also has an additional stage, Fine Gain, for fine tuning the Sensitivity. The stage (parameter FG) follows the RG and provides a 10 bit adjustment. The small signal gain of the FG is within 1.0 and 2.5. The RG and FG parameters are adjusted in the application to calibrate the device's sensitivity (gain) and output slope transfer characteristic. The function for the fine gain is given in the following equation:

$$Fine\ Gain = \frac{1}{1 - 0.6 * \frac{FG}{1023}}$$

Note. The one bit parameter INVERT is used to fix the “sign” of the sensitivity. A value of 0 makes the Sensitivity positive and the output voltage increases in response to a South magnetic field. A value of 1 makes the Sensitivity negative and the output voltage decreases in response to a South magnetic field. Refer to section 10.5, Sensitivity Polarity, for more information on INVERT.

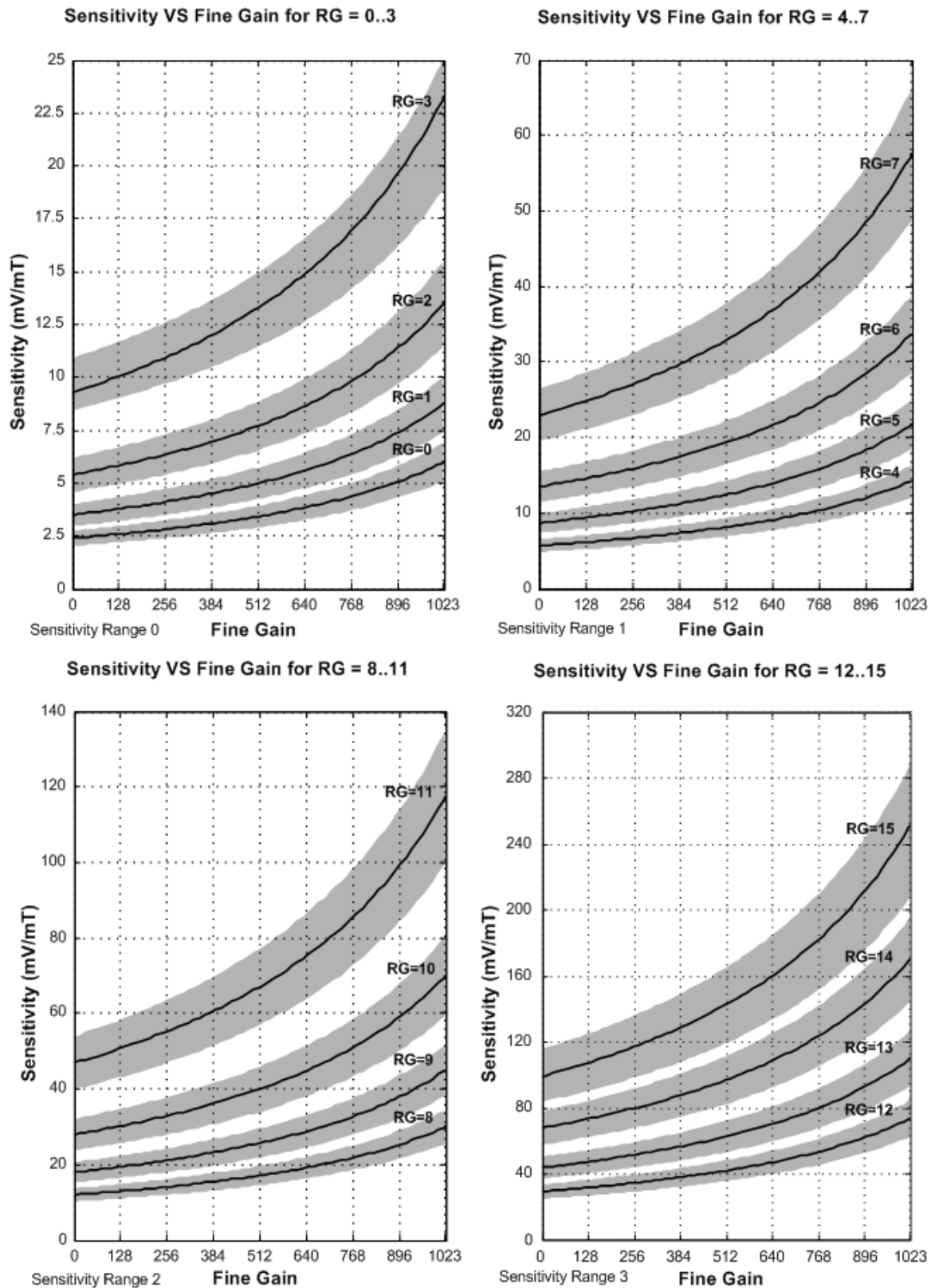
10.4 Sensitivity Range Selection

Each unit is characterized over temperature during final test to optimize its performance and accuracy. To achieve the best possible Sensitivity Temperature Compensation, TempCo, each unit is optimized for use within a specific Sensitivity range. This is represented in the ordering information by the option code. There are four available ranges, option codes 0, 1, 2 and 3. The option code corresponds with the two MSB of the RG parameter. Each device is tested to meet the TempCo specification in the Sensitivity range determined by the RG parameter (RG = 0...3, RG = 4...7, RG = 8...11 or RG = 12...15), regardless of the FG parameter.

Option Code	Rough Gain	Sensitivity Range (mV/mT)	Typical Magnetic Field Range (mT, B _{MAX} - B _{MIN})
xxx-000	0-3 (00 xx)	2.6 < S < 15	333 < B < 800
xxx-100	4-7 (01 xx)	10 < S < 35	156 < B < 333
xxx-200	8-11 (10 xx)	18 < S < 90	62 < B < 156
xxx-300	12-15 (11 xx)	50 < S < 210	6 < B < 62

Table 9: Optimized Sensitivity Range

The next figures show the typical Sensitivity versus the FG and RG parameters. The gray areas are representative of the chip to chip dispersion (i.e.: for the same RG and FG parameters, the Sensitivity can vary from chip to chip). There is a large overlap between the different ranges for use of one range for applications with large magnetic and/or mechanical dispersions. The Sensitivity graphs and tables can be used to select the right device type for the application. If one is unsure of the applications magnetic design and the desired Sensitivity range Melexis recommends option code 2.



Figures 10.4-1...10.4-4 Sensitivity versus RG and FG. Important : You need option code 000 for Sensitivity Range 0 is option code 000, option code 1 for Sensitivity Range 1, option code 2 for Sensitivity Range 2 and option code 3 for Sensitivity Range 3.

10.5 Sensitivity Polarity (INVERT)

The slope transfer characteristic defines the Sensitivity. The INVERT parameter changes the Sensitivity's polarity, or the slope's direction. This allows the device to accommodate the application requirements and the magnet's polarity. The slope is inverted in the first stage of the IC, at the Hall plate. With INVERT set to 0, the output voltage increases as a South magnetic field is applied and decreases in the presence of a North magnetic field. An INVERT value of 1 causes the output voltage to increase in the presence of a North magnetic field and decrease in the presence of a South magnetic field. The magnetic field polarity is referenced to the field component perpendicular to the top-face of the MLX90295.

10.6 Clamping Levels (CLAMPLOW, CLAMPHIGH)

Two independent values, called the clamping levels, can limit the output voltage range or swing. The CLAMPLOW parameter adjusts the minimum output voltage level, ClampLo. The CLAMPHIGH sets the maximum output voltage level, ClampHi. Both parameters have 10 bits of adjustment with a resolution of approximately 0.005V. The formulas below give a close approximation of the output clamp voltage. The actual clamping level formulas vary slightly from chip to chip. If CLAMPLOW exceeds CLAMPHIGH the output voltage is fixed at the high clamp voltage level. The CLAMPHIGH and CLAMPLOW have an initial value of 512, set by Melexis. This results in a fixed output voltage of approximately 50% V_{DD}.

$$ClampLo = \frac{5.10V}{1023} * CLAMPLOW \Big|_{V_{DD}=5.00V}$$

$$ClampHi = \frac{5.10V}{1023} * CLAMPHIGH \Big|_{V_{DD}=5.00V}$$

At the point the output voltage switches between the linear operating region and the clamping region the output can deviate slightly. This is represented by the grey areas in the figure below. The limits for deviation in the Y axis are listed in Table 10. The deviation in the X axis is calculated from the application's transfer function. The Clamp Comparator Offset does not affect the output linearity or clamp voltage accuracy. During calibration it is recommended to set the clamp voltage outside of the transition region (0V to 5V).

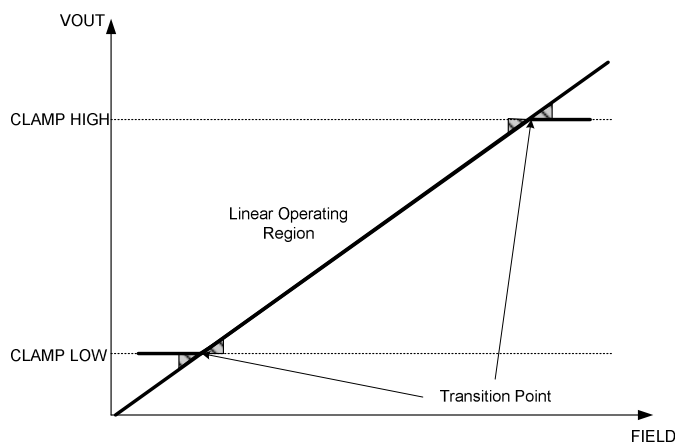


Figure 10.6 Output Voltage Clamping Deviation

DC operating parameters at V_{DD} = 5V and for T_A as specified by the temperature range (L).

Parameter	Symbol	Test Conditions	Min	Typical	Max	Units
Clamp Comparator Offset	CLAMP _{OFF}		- 0.7		+ 0.7	%V _{DD}

Table 10: Clamp Comparator Offset Specification

10.7 Filter (FILTER)

The MLX90295 includes two programmable low-pass filters located within the chopper amplifier stages. The two low-pass filters are controlled through a 4 bit parameter, FILTER. The FILTER value 0 corresponds to minimum filtering, maximum speed (impulse response time), and maximum output noise. The value 15 provides the maximum filtering, minimum speed, and minimum output noise. It is important to note the noise is also linked to the gain settings. The FILTER parameter needs to be adjusted to achieve optimal performance. The next table shows typical values the cut-off frequency at -3 dB versus FILTER and RG parameters. FILTER values from 8 to 11 are not used. For most applications FILTER values 7 or 15 are recommended.

Cut-off frequency at -3 dB (Hz) – Typical

Filter	MLX90295-0 Rough Gain 0...3	MLX90295-1 Rough Gain 4...7	MLX90295-2 Rough Gain 8...11	MLX90295-3 Rough Gain 12...15
0	22900	14300	7000	3850
1	19500	11450	5550	2950
2	12300	10000	3000	2300
3	10400	6750	2100	1100
4	7450	3900	1500	850
5	5850	2900	1125	860
6	5700	2700	1350	715
7	5050	2550	1380	650
8	Not used			
9	Not used			
10	Not used			
11	Not used			
12	2200	840	565	250
13	1000	480	470	190
14	920	380	290	155
15	800	330	250	135

Table 11: Cut-off Frequency versus FILTER and RG Parameters

10.8 Sensitivity Temperature Compensation (TC, TCW, TC²)

The change in the device's Sensitivity versus temperature is defined as the Sensitivity Temperature Compensation, TempCo. In an application the slope output transfer characteristic is often affected by temperature. Fluctuations in temperature can cause variations in the air gap, mechanical alignment and magnetic field. The Sensitivity Temperature Compensation feature compensates for these effects.

Three parameters, TC, TCW, TC² are used for adjustment of the TempCo. The TCW is used to adjust the TempCo range, TC is for fine adjustment of the TempCo value, and TC² effects the TempCo linear response. To simplify use of these parameters Melexis stores a look up table within the EEPROM of each device. The look up table is optimized for each device by characterizing the unit over temperature at final test.

The value of TempCo is often determined by the magnet. In the application the TempCo is adjusted to compensate for the temperature coefficient of the magnet. To adjust the value the look up table is read from the device. The parameters are then calculated to match the desired value. The Melexis PTC hardware and software tools contain built in functions for programming the TempCo.

TempCo Range (ppm / °C)	Accuracy (ppm / °C)
0 to 500	± 100
500 to 1200	± 150
1200 to 2000	± 200

Table 12: TempCo Accuracy

Note: The budget error of the whole system, the compensation mismatch (system Vs. IC) tolerance should be taken into consideration during the design. Table 11 is valid for Rough Gain within the specified option code. See section 10.4 for information on selecting the option code.

10.9 Diagnostic Output Level (FAULTLEV)

The MLX90295 EEPROM memory content is secured through a parity check. This self-diagnostic feature brings the output to a defined range in case of a parity error. The parameter, FAULTLEV, is used to define the parity error diagnostic state. With the FAULTLEV set to 0 a parity error event will result in an output diagnostic voltage low. With the FAULTLEV set to 1 a parity error event will result in an output diagnostic voltage high. To get rid of the output load influence the output diagnostic voltage level can be fixed to either Ground (to be used with pull-down load) or V_{DD} (to be used with pull-up load). Melexis PTC software and hardware tools have built in functions for calculating and programming the parity.

Note: The MLX90295 EEPROM is also redundant. Each parameter bit is written in three separate cells and a "majority voting" is applied to determine its status. A parity error is detected only if two out of the three cells unexpectedly change state. The bits available for the customer ID are not redundant.

10.10 The EEPROM, Parity, and Melexis CRC

The memory cells of the EEPROM are arranged in a table of four columns and one hundred twenty eight rows. This configuration gives redundancy to the parameters stored in the EEPROM. Each parameter bit is written in three separate cells in an individual row. A majority voting applied to the three cells determines the logic status of the bit.

A parameter bit only toggles state in error if two out of three memory cells, within a row, unexpectedly change. If this happens the feature, PARITY, forces the output voltage to the FAULTLEV diagnostic level. This ensures the device does not operate with a critical memory fault.

The remaining memory cells are used for data storage. The status of these cells does not effect the device operation. For example the Customer ID, CUSTID, is stored in this area. Melexis stores the device ID information, TempCo look-up table and CRC bits in the extra cells. The CRC bits ensure the integrity of the Melexis data.

Note: To avoid parity and CRC errors, the entire contents of the EEPROM must be read before programming. Melexis PTC software and hardware tools have built in functions for reading the EEPROM and handling parity.

10.11 Output Amplifier Configuration (MODE)

The output buffer can be configured to accommodate capacitive loads and improve the saturation voltage (output swing). The two bit parameter, MODE, sets the current capacity of the output amplifier. Melexis sets this parameter to 1 at final test. This parameter is not used by the end customer.

10.12 Memory Lock (MEMLOCK)

The Memory Lock feature prevents the device from entering programming mode and from any changes to the EEPROM. The entire EEPROM is locked by setting the MEMLOCK parameter to 1. This should be the last parameter set in the application.

10.13 IC traceability

A unique ID number is programmed into the EEPROM of every IC. The ID number gives Melexis additional traceability to better service its customers. The ID number is composed of the lot number, wafer number, and wafer coordinates (X and Y). Memory is also available for the customer to add a serial number of the product or any other data.

11 Performance Graphs

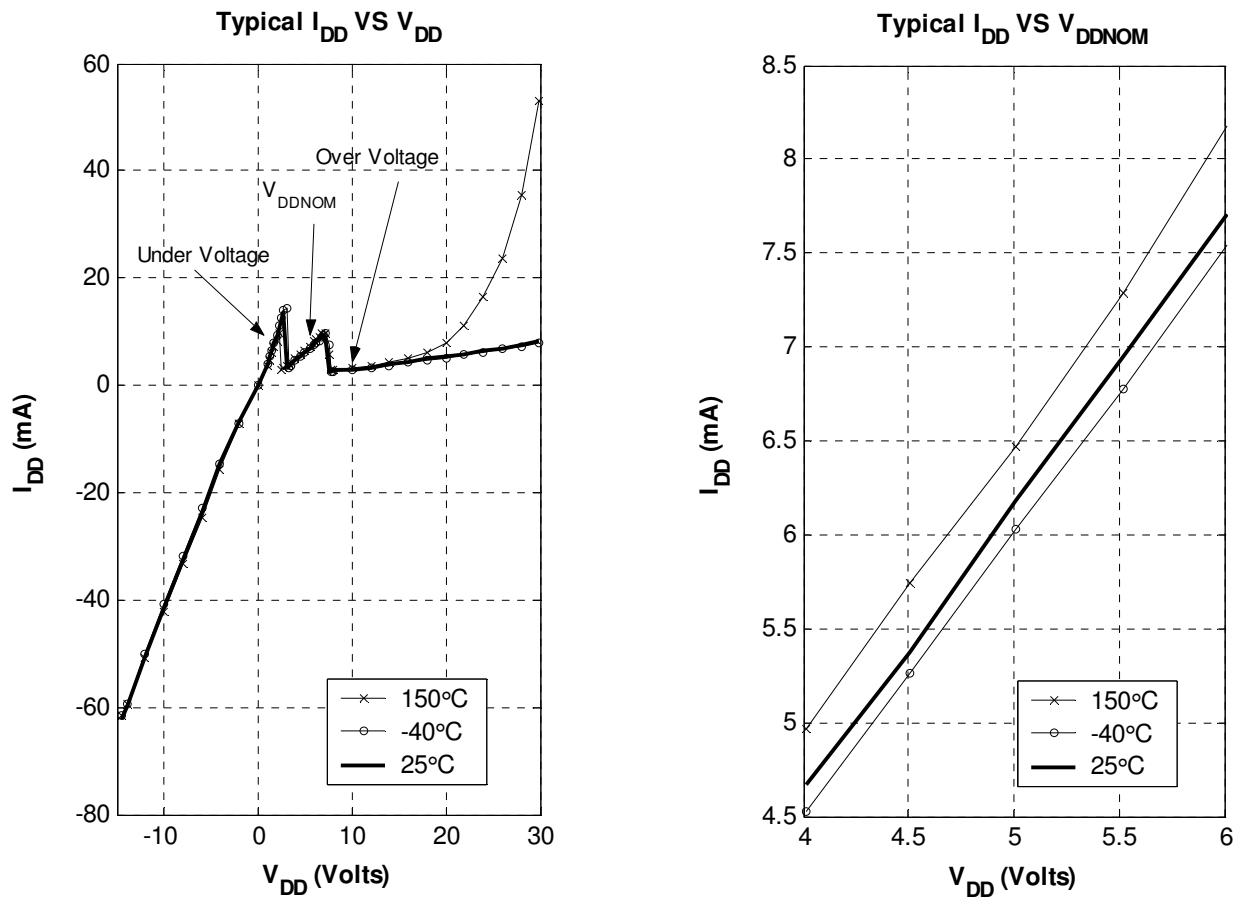


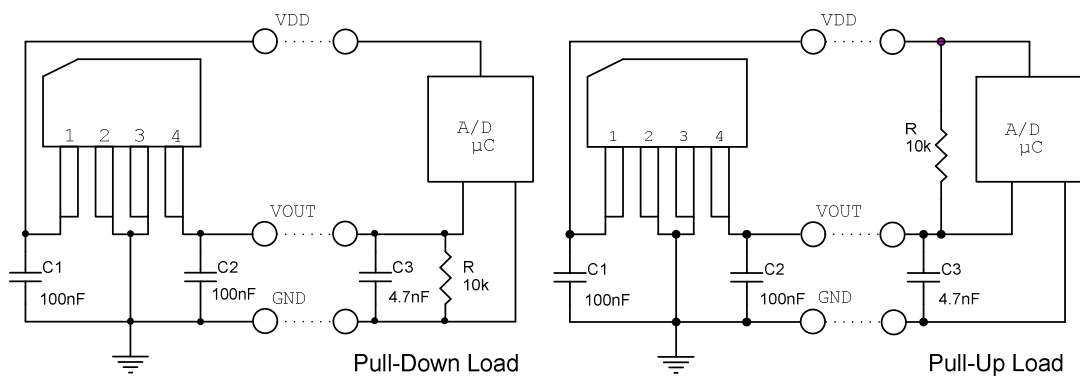
Figure 11-1...11-2 I_{DD} Versus V_{DD}

12 Applications Information

12.1 Application Circuits – VC-package

Pin 2, TEST, is not used in applications. For EMC protection it is recommended to connect pin 2 to pin 3, Ground, as close as possible to the device pins. The values for capacitors, C1 and C2, can be adjusted to satisfy ESD and EMC requirements according to the environment. Ceramic capacitors are recommended for use in the application. However for stable operation, the global output capacitor (C2 + C3) should not be higher than 150nF. If higher capacitors (due to special ESD or EMC requirements) or special circuit configurations are requested, please contact Melexis.

The MLX90295 can operate with a high impedance load and C2, a load resistor is not required.



Figures 12.1-1...12.1-2 Application Circuits

A voltage of 9V is required on V_{DD} for programming. All additional components connected to V_{DD} must be able to withstand the voltage. The MLX90295 is designed for operation with a stable 5V supply. If fast voltage transients occur additional filtering may be required.

12.2 Programming the Sensor

To program the MLX90295 connection to V_{DD} , GND, and V_{OUT} is required. The device is placed into program mode by increasing the supply voltage to the V_{DD} program level. In program mode data is clocked into the device through the output pin using the Melexis tri-level PTC protocol. The clock and data are integrated into one serial data stream, eliminating the need for a dedicated clock signal. The data is clocked at the leading edge of each bit.

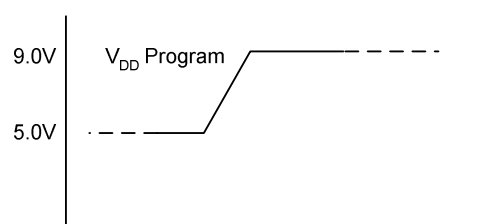


Figure 12.2-1 V_{DD} Programming Level

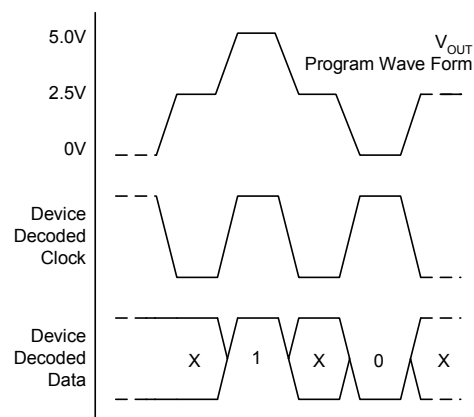


Figure 12.2-2 Tri-Level PTC

Note: External capacitors and resistors will effect the rise and fall times for the programming waveforms. Program pulse timings may require adjustment for the application. The device can not be programmed if MEMLOCK equals 1.

The EEPROM contents can be read from the device. This procedure, known as a read back, is done by sending a read command and then measuring the supply current. To successfully read the EEPROM it must be possible to measure the supply current to the device. The Melexis PTC hardware and software tools contain built in functions for reading the EEPROM.

The MLX90295 can be programmed by using the PTC-04 programmer and the dedicated software tools. The timing and voltage levels are controlled through the programming hardware and software. Further details can be found in the MLX90295 software documentation.

12.3 Calibration Procedure

The programmable features of the device allow for calibration within the application. This section gives general information for a two point calibration procedure. The two point calibration is the most common however, it is possible to adapt other procedures.

- 1.) The first step in the calibration procedure is to initialize the device. This is done by establishing communication and reading the contents of the EEPROM.
- 2.) The second step is to set the TempCo and FILTER settings.
- 3.) Step three is the evaluation of position one. During this step the output voltage is measured with initial values for RG, FG and OFFSET.
- 4.) Step four is the evaluation of position two. During this step, the output voltage is measured with the same values from step 3. From the measurements it is possible to calculate the slope and offset error. Next the output slope transfer characteristic versus FG and RG is interpolated. With this information the initial settings are adjusted and the output voltage is measured again.
- 5.) Step five is the final check and adjustment. At this stage small corrections are made to the OFFSET and FG parameters. Next, the output clamping parameters, CLAMPHIGH and CLAMPLOW, are determined.
- 6.) The sixth step is the program phase. Now that all the parameters are determined and the application requirements are satisfied, the settings are programmed into the EEPROM.
- 7.) The final step, seven, is the lock and verify step. Here the customer can perform any number of additional measurements and verify the EEPROM contents. After this is completed the MEMLOCK is set and the EEPROM is locked, preventing any further programming.

Note: EEPROM verification is done by reading the contents of the EEPROM and comparing it to the data written. It is possible to read the EEPROM contents regardless of the status of MEMLOCK.

The Melexis PTC software tools contain built in functions and procedures for calibrating the MLX90295. Please refer to the software documentation for more information on how to use the calibration tools.

The output of the MLX90295 is ratiometric. To avoid calibration errors from fluctuations in the supply voltage, the output voltage should be measured as a percentage of the supply voltage.

13 Standard information regarding manufacturability of Melexis products with different soldering processes

Our products are classified and qualified regarding soldering technology, solderability and moisture sensitivity level according to following test methods:

Reflow Soldering SMD's (Surface Mount Devices)

- IPC/JEDEC J-STD-020
Moisture/Reflow Sensitivity Classification for Nonhermetic Solid State Surface Mount Devices (classification reflow profiles according to table 5-2)
- EIA/JEDEC JESD22-A113
Preconditioning of Nonhermetic Surface Mount Devices Prior to Reliability Testing (reflow profiles according to table 2)

Wave Soldering SMD's (Surface Mount Devices) and THD's (Through Hole Devices)

- EN60749-20
Resistance of plastic- encapsulated SMD's to combined effect of moisture and soldering heat
- EIA/JEDEC JESD22-B106 and EN60749-15
Resistance to soldering temperature for through-hole mounted devices

Iron Soldering THD's (Through Hole Devices)

- EN60749-15
Resistance to soldering temperature for through-hole mounted devices

Solderability SMD's (Surface Mount Devices) and THD's (Through Hole Devices)

- EIA/JEDEC JESD22-B102 and EN60749-21
Solderability

For all soldering technologies deviating from above mentioned standard conditions (regarding peak temperature, temperature gradient, temperature profile etc) additional classification and qualification tests have to be agreed upon with Melexis.

The application of Wave Soldering for SMD's is allowed only after consulting Melexis regarding assurance of adhesive strength between device and board.

Melexis recommends reviewing on our web site the General Guidelines [soldering recommendation](http://www.melexis.com/Quality_soldering.aspx) (http://www.melexis.com/Quality_soldering.aspx) as well as [trim&form recommendations](http://www.melexis.com/Assets/Trim-and-form-recommendations-5565.aspx) (<http://www.melexis.com/Assets/Trim-and-form-recommendations-5565.aspx>).

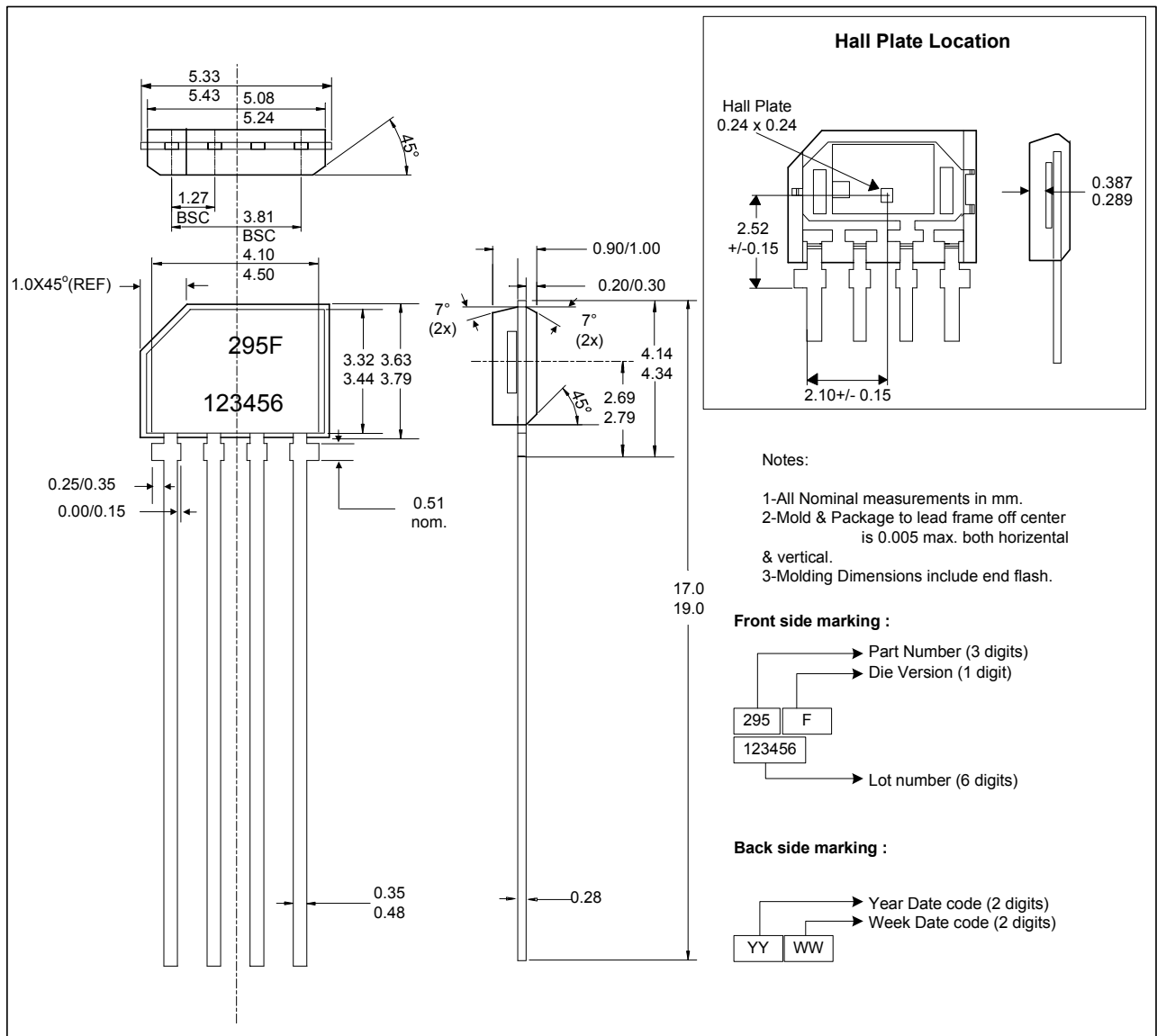
14 ESD Precautions

Electronic semiconductor products are sensitive to Electro Static Discharge (ESD). Always observe Electro Static Discharge control procedures whenever handling semiconductor products.

15 Package Information

➤ VC-package: the lead-free VC-package is released for MSL1/245°C.

15.1 VC Package Outline and Hall Plate Position



16 Disclaimer

Devices sold by Melexis are covered by the warranty and patent indemnification provisions appearing in its Term of Sale. Melexis makes no warranty, express, statutory, implied, or by description regarding the information set forth herein or regarding the freedom of the described devices from patent infringement. Melexis reserves the right to change specifications and prices at any time and without notice. Therefore, prior to designing this product into a system, it is necessary to check with Melexis for current information. This product is intended for use in normal commercial applications. Applications requiring extended temperature range, unusual environmental requirements, or high reliability applications, such as military, medical life-support or life-sustaining equipment are specifically not recommended without additional processing by Melexis for each application.

The information furnished by Melexis is believed to be correct and accurate. However, Melexis shall not be liable to recipient or any third party for any damages, including but not limited to personal injury, property damage, loss of profits, loss of use, interrupt of business or indirect, special incidental or consequential damages, of any kind, in connection with or arising out of the furnishing, performance or use of the technical data herein. No obligation or liability to recipient or any third party shall arise or flow out of Melexis' rendering of technical or other services.

© 2012 Melexis NV. All rights reserved.

For the latest version of this document, go to our website at
www.melexis.com

Or for additional information contact Melexis Direct:

Europe, Africa, Asia:	America:
Phone: +32 1367 0495	Phone: +1 248 306 5400
E-mail: sales_europe@melexis.com	E-mail: sales_usa@melexis.com

ISO/TS 16949 and ISO14001 Certified